

Portrait

ZERO CLEARANCE + INSERT SERIES

CUSTOMIZE
TO SUIT YOUR HOME.



Radiant
Gas Fireplaces

THE SCIENCE OF WARMTH™

Since 1890, we've been pioneering and perfecting radiant heat technology that generates constant, comfortable warmth within your home.

ADJUSTABLE HEAT

Adjustable flame for constant, even warmth without having to cycle the fire on and off.

EFFICIENCY

Radiant zone heating is up to 25% more efficient than central forced air systems.

SAFETY

Our fires are put through rigorous safety testing in our in-house CSA approved lab.

COVER:
WINDSOR ARCH CHROME +
FRAMING PLATE 539AFPV2
TRADITIONAL LOGS +
FLUTED BLACK LINER 530LSK



RADIANT HEAT

What makes Valor unique?
We put radiant heat technology into every fire. You can feel it.

REALISTIC LOGS

High definition, low mass fiber ceramic logs heat up and glow quickly, radiating warmth.

CERAMIC GLASS

Durable and robust ceramic glass improves radiant performance.

NO POWER. NO PROBLEM.

Valor stoves heat without electricity—even in a power failure.

SUPERIOR ALUMINIZED STEEL

Aerodynamic aluminized steel firebox handles high temperatures, delivering efficient radiant warmth.

**ROCKS +
FLUTED BLACK LINER 530RSK**

**PROUDLY MADE
IN NORTH AMERICA**

Please Note: Printed images may vary from actual product. All product information is accurate at time of printing and is subject to change. For more information, visit valorfireplaces.com



**CLEARVIEW VINTAGE IRON +
BACKING PLATE 545CFVZC
DRIFTWOOD 530DWK
REFLECTIVE GLASS LINER 580RGL**

FIRE BED + LINERS

We designed these expertly crafted logs, rocks and coals as realistic-looking as possible, and engineered them to harness radiant heat from the flames and glowing embers.

A reversible liner—Red Brick or Fluted Black—is included with the Traditional logs and

Coal, while the Driftwood and Rocks feature a Fluted Black liner. The optional Reflective Glass liner looks great with any of the fire beds.

Visit your local Valor dealer to see a fire; or for a video go to valorfireplaces.com

TRADITIONAL LOGS + RED BRICK





**DRIFTWOOD +
OPTIONAL REFLECTIVE GLASS**



**ROCKS +
OPTIONAL REFLECTIVE GLASS**



COAL + FLUTED BLACK LINER



SMALL OR LARGE RENOVATION?

Except for the Ledge, all our Portrait fireplaces are available as insert fireplaces for existing masonry; or as zero clearance fireplaces, allowing you to start fresh without an existing fireplace.



CLASSIC ARCH WITH BACKING PLATE 550CPAv2
COAL + BLACK FLUTED LINER 530CSK

ARCHED FRONTS

Arched fronts never go out of style. The detailed design set in durable cast iron with either a chrome or powder-coated black finish creates a feature in any room—standing the test of time in craftsmanship and design.

CLASSIC ARCH

The Art Deco style of Classic Arch features brushed chrome highlights over a black finish.

The Classic Arch's square cast iron back plate (pictured) provides a seamless transition to your surround.

BRUSHED CHROME





CHROME HIGHLIGHTS

BLACK CAST

WINDSOR ARCH

The Victorian castings features a black finish—with or without chrome highlights.

A square outer plate is part of the zero clearance model (see right). An optional arched backing plate is available for arch inserts. Ask your Valor dealer for details.





PRESIDENT 536CXBI
BACKING PLATE 582CPB
TRADITIONAL LOGS +
RED BRICK REVERSIBLE LINER 530LSK

TRADITIONAL FRONTS

These modest cast iron fronts look great in traditional and contemporary settings.

They include an optional closure plate for ZCs or a required framing plate for inserts. The plates provide an attractive transition to existing stone and mantel work—a welcomed feature when preserving the heritage look of your home.



◀ PRESIDENT

Beautiful attention to detail is apparent as flames reflect off the cast contours and immaculate detailing, radiating warmth.

Also available as a freestanding stove.



◀ **BOLERO**

The Bolero art deco feel offers a unique look that adapts to your interior.

Cast surfaces are polished smooth, then plated for a stunning finish.



◀ **SENATOR**

Highlighting the fine art of quality cast iron design, the Senator fits comfortably in both well appointed and understated settings.

A wide range of diverse venting solutions unique to the Portrait Series make home renovations easier.



LEDGEVIEW PEWTER + BACKING PLATE 546LFPWZC
DRIFTWOOD 530DWK
REFLECTIVE GLASS LINER 580RGL



MODERN FRONTS

The small footprint of these modern fronts makes them ideal for intimate home spaces. Powder-coated or electro-plated, Portrait fronts finishes are made to last.

LEDGEVIEW

With minimal impact on actual floor space, the Ledgeview's slim design sits above the hearth, ideal for kitchens, dens, lofts and other small spaces.

PEWTER



BLACK



BRONZE



BRUSHED NICKEL





CLEARVIEW

This popular front is designed to sit on the hearth.

LEDGE

The Ledge offers an optional backing plate. Zero Clearance only.

BUILD YOUR OWN

Build your own Portrait with any of our fronts on Valor's Design Center. Scan below:

VINTAGE IRON



BLACK



design.valorfireplaces.com



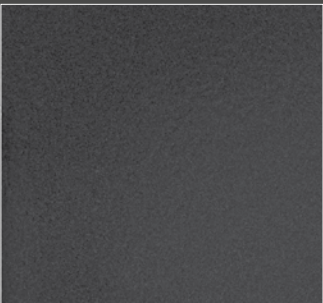
LEDGEVIEW BRUSHED NICKEL INSERT +
BACKING PLATE 546LFN
ROCKS 530RSK
REFLECTIVE GLASS LINER 580RGL



FINISHES

All our rich, durable finishes are powder-coated or plated for a longlasting finish.

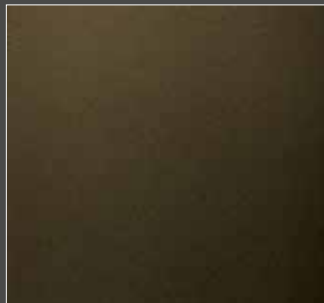
PEWTER



VINTAGE IRON



BRONZE



BRUSHED NICKEL





If available, ask your dealer to see an example in person as colors may appear different in various lights. To see examples online, go to valorfireplaces.com/media

CHROME HIGHLIGHTS



CAST IRON



BRUSHED CHROME



POLISHED CAST IRON





SENATOR 563SCB
COAL + RED BRICK/FLUTED BLACK
REVERSIBLE LINER 530CSK

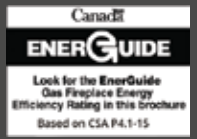
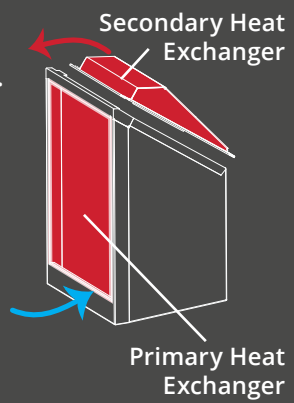
ENERGY EFFICIENCY

SECONDARY HEAT EXCHANGER

The built-in Secondary Heat Exchanger naturally improves convective heat—removing the need for a fan. Your fire will heat up fast for immediate comfort—and with no need for electricity, you'll save money. To find out more, visit valorfireplaces.com/efficiency

MODEL	FUEL	MAX. INPUT	MIN. INPUT	MAX. OUTPUT*	EnerGuide*
530IN	NG	20,500	6,500	15,117	70.2%
530IP	LPG	19,000	12,500	14,476	70%
530INI	NG	20,500	6,500	13,223	64%
530IPI	LPG	19,000	12,500	13,100	66%

* EnerGuide Ratings and Outputs have been determined without a fan/blower, using the CSA P4.1-15 test method. Certified to ANSI Z21.88 / CSA 2.33 Vented Gas Fireplace Heater American National Standard. CGA - 2.17-91 Gas Fired Appliances for use at High Altitudes





REMOTE CONTROL

VALOR REMOTE—STANDARD

Every Valor includes a remote. Your remote lets you select, adjust or program your desired temperature—the fire automatically adjusts to maintain the temperature of the room. Your remote even allows you to turn your pilot light on or off from the comfort of your sofa.



VALOR WALL SWITCH—OPTIONAL

Can't find your remote? The optional wall switch, 1265WSK, allows you to do basic functions, such as turn the fire on and off, and adjust the flames up and down.



Find out more at valorfireplaces.com/remotes

ZERO CLEARANCE (ZC)



The Windsor and Classic Arch ZC fronts have a built-in outer plate and can also be used as inserts.*

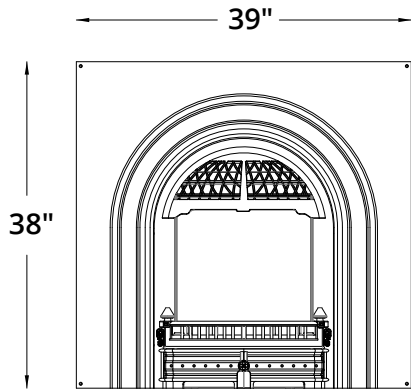


The President, Senator and Bolero ZC fronts include a framing plate (not shown).

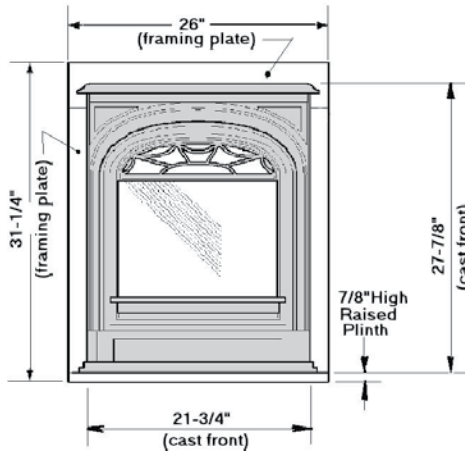


The Clearview and Ledgeview ZC fronts include a backing plate, while the Ledge has an optional backing plate.

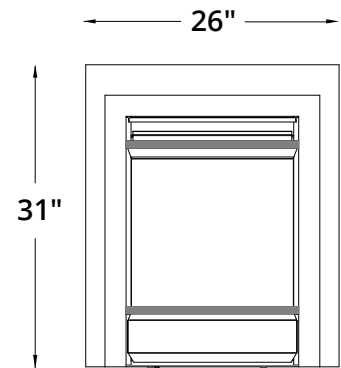
WINDSOR ARCH ZC



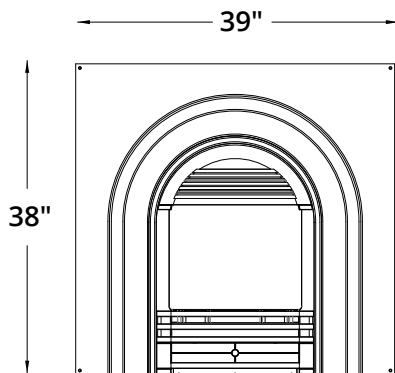
PRESIDENT ZC



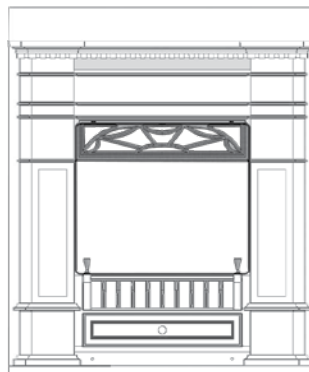
CLEARVIEW ZC



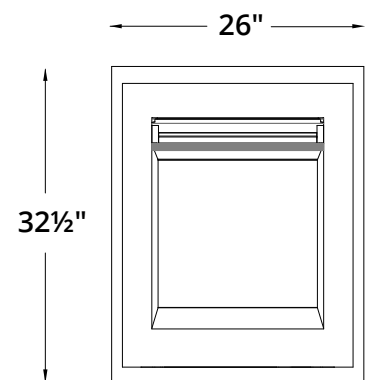
CLASSIC ARCH ZC



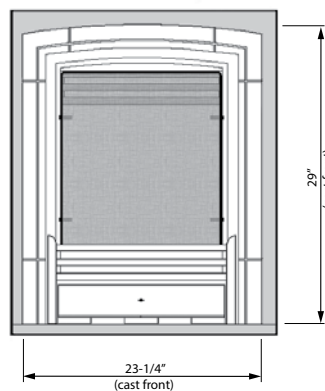
SENATOR



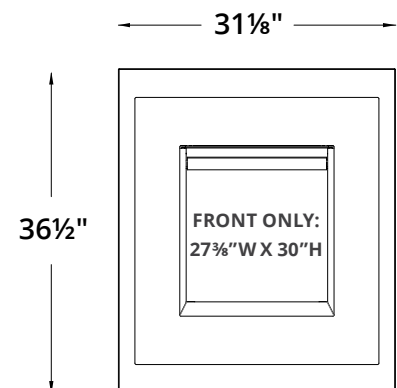
LEDGEVIEW



BOLERO



LEDGE ZC ONLY



* To use as insert, please contact your local dealer for more information.

INSERTS (IN)



An optional arched backing plate is available for the Windsor Arch insert fronts. Inserts can be converted to ZC.**

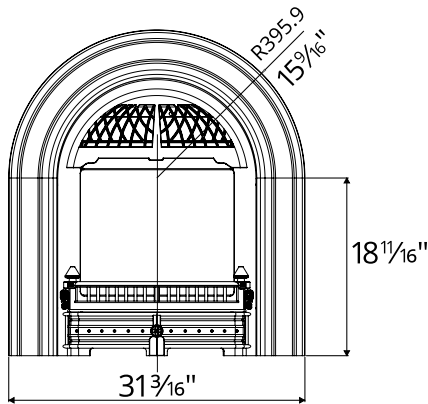


The President, Senator and Bolero insert fronts have recommended closure plates (not shown).

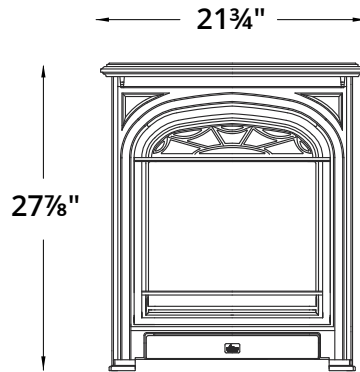


The Clearview and Ledgeview Insert fronts include backing plates. See below:

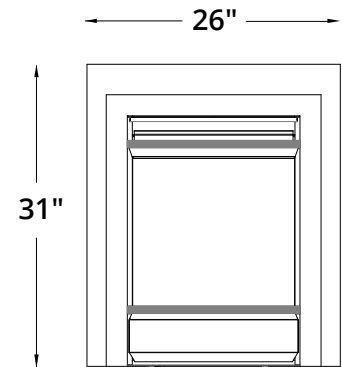
WINDSOR ARCH



PRESIDENT

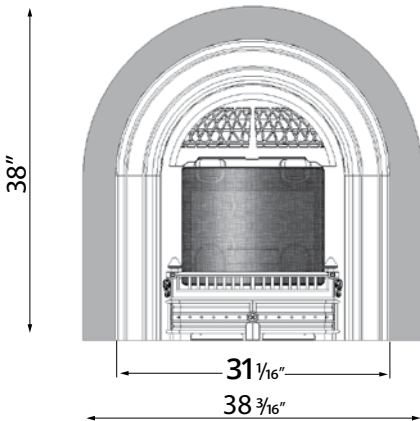


CLEARVIEW

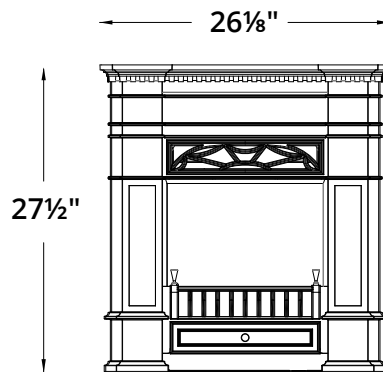


CLASSIC ARCH

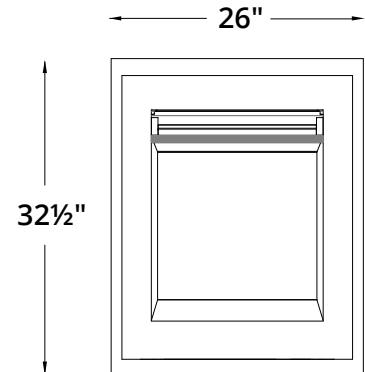
(optional arched backing plate shown)



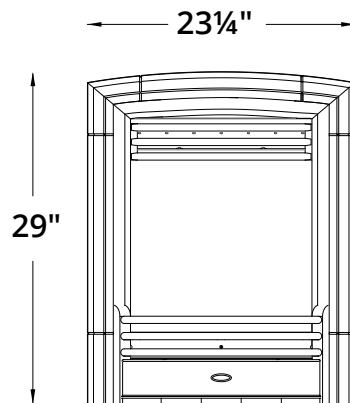
SENATOR



LEDGEVIEW



BOLERO



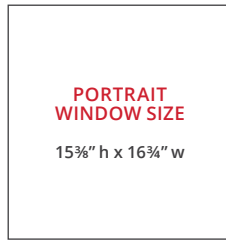
** To use as ZC, please contact your local dealer for more information about the 549ZCK conversion kit.

DIMENSIONS

ZC FRAMING

	H	W	D
President	38"	26¼"	11"
Senator	38"	26¼"	11"
Bolero	38"	26¼"	12"
Windsor Arch	37"	26¼"	13⅛"
Classic Arch	37"	26¼"	13⅛"
Clearview	32"	22½"	12¾"
Ledgeview*	32"	22½"	12¾"
Ledge	30¼"	22½"	12¾"

Note: Allow for more depth if using a rear vent elbow.



INSERT

MINIMUM CAVITY

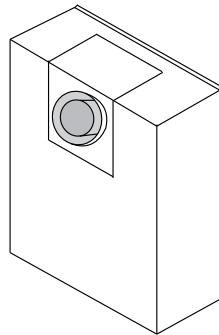
	W	D
President	25¼"	9"
Senator	25¼"	9"
Bolero	25¼"	10"
Windsor Arch	25¼"	11½"
Classic Arch	25¼"	11½"
Clearview	26½"	11⅜"
Ledgeview*	26½"	11⅜"

*A Ledgeview front requires that the engine sit a minimum 1½" above the hearth.

ENGINE OPTIONS

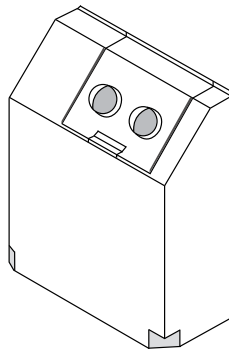
Zero Clearance 530IN/530IP

- Coaxial venting ideal for built-in ZC applications.
- Slim engine depth.
- Direct vent coaxial system convertible to colinear for insert applications.
- Engine can be either top or rear vented.
- Improved window latch for ease of service.



Insert 530INI/530IPI

- Colinear vent collar plate ideal for inserting into existing solid fuel fireplaces.
- Sloped fire box venting and slim design for fitting difficult chimney cavities.
- Adaptable direct vent colinear flex venting.
- Removable sloped venting collar for ease of install.
- Improved window latch for ease of service.



Always refer to the manual for complete installation instructions:
valorfireplaces.com/manuals



ZC

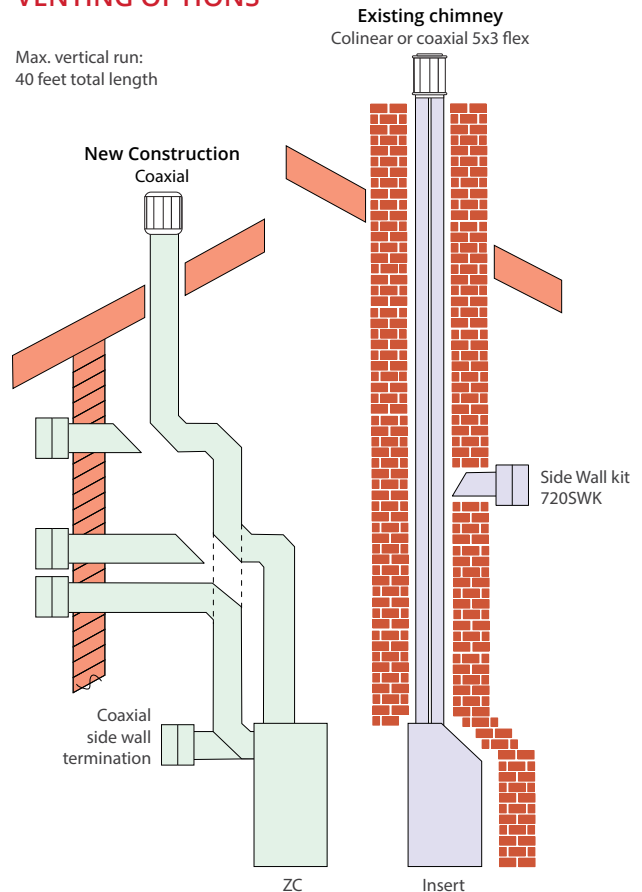
INSTALLATION
MANUALS



Insert

VENTING OPTIONS

Max. vertical run:
40 feet total length



COMPONENTS

DIRECT VENT ENGINES

	<u>ZC</u>	<u>INSERT</u>
Natural Gas	530IN	530INI
Propane	530IP	530IPI

1 FUEL BEDS WITH LINERS

Coal + Red Brick/ Black Fluted reversible liner	530CSK	530CSK
Traditional Logs + Red Brick/Black Fluted reversible liner	530LSK	530LSK
Rocks + Black Fluted liner	530RSK	530RSK
Driftwood + Black Fluted liner	530DWK	530DWK

2 FRONT + BACKING PLATES

All ZC fronts include an outer or framing plate except Ledge, which offers an optional ZC backing plate.

<u>FRONT</u>	<u>ZC</u>	<u>INSERT</u>	<u>INSERT BACKING PLATES</u>
Windsor Arch Black ZC	539AFBv2		
Windsor Arch Chrome ZC	539AFPv2	ZC OK as insert.	
Classic Arch Chrome ZC	550CPAv2		
Windsor Arch Black Insert	<i>Insert OK as ZC*</i>	549AFBv2*	+ optional Arched Plate 549APB
Windsor Arch Chrome Insert		549AFPv2*	
Clearview Vintage Iron	545CFVZC	545CFV	+ included backing plate; optional 583CPB
Ledgeview Pewter	546LFPWZC	546LFPW	
Ledgeview Black	546LFBZC	546LFB	+ included backing plate
Ledgeview Brushed Nickel	546LFNZC	546LFN	
Ledgeview Bronze	546LFZZC	546LFZ	
President	536CXB	536CXBI	+ required 3336CP, 582CPB or 583CPB
Senator	563SCB	<i>ZC OK as insert. See manual.</i>	+ required 582CPB or 583CPB
Bolero	541BPC		
Ledge Black	569LFB		

*To convert 549 insert to ZC, see manual for 549ZCK conversion kit.

3 OPTIONAL

Ledge ZC backing plate	570FPB
Reflective Glass liner	580RGL
Traditional Black Cast Iron fret	545TFB
Firebox Grille panel (except with Coals)	567FGP
1 Hour Shut Down Handset	GV60BRK
Non-Thermostat Handset	GV60NTK
Wall Switch	1265WSK
Remote Battery and Wall Switch	RBWSK
Outdoor Conversion Kit	GV60CKO



⚠ WARNING

This product can expose you to chemicals including Benzene, which is known to the State of California to cause cancer and birth defects or other reproductive harm.

For more information go to www.P65Warnings.ca.gov

Note: Natural gas, in its original state, contains Benzene.



BOLERO + FRAMING PLATE 541BPC
TRADITIONAL LOGS +
RED BRICK REVERSIBLE LINER 530LSK

BRPORT22E OCT

valor
Radiant
Gas Fireplaces